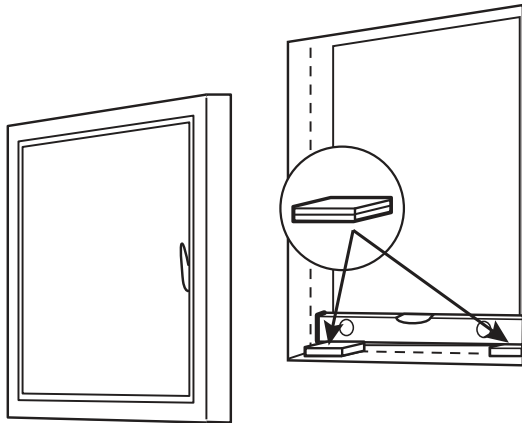


Tilt and turn windows and doors

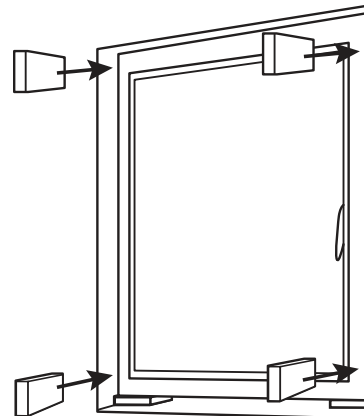


1.

Preparation

To support windows/doors at the desired height: Place 2 blocks at level. To be placed as an extension to the side frames.

NOTE: Windows/doors may not take up loads from the general structure (cf. Technical Requirements for the Association of Danish Window Manufacturers)

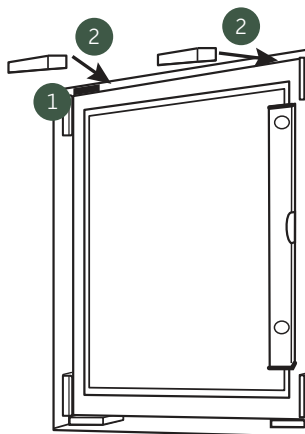


2.

Pre-fixing

Place the window/door in the structural opening and pre-fix it at all four corners plumb and level. The distance between the frame and the wall must be the same on all sides.

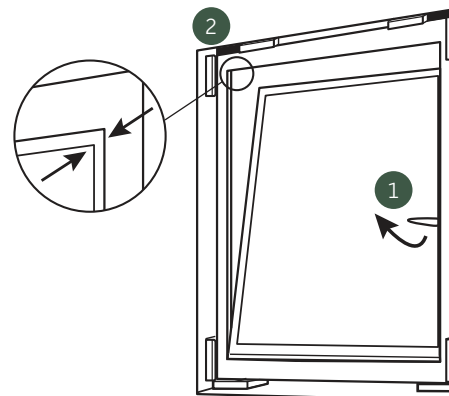
When only provisionally fixed with packers the window/door may not be opened. Before final fixing the frame may need adjustment.



3.

Support packers

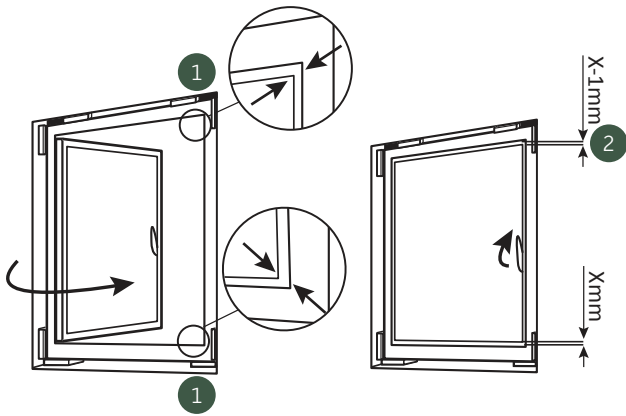
1. Insert fixing shims/packers at the top of the frame on the hinge side close to the corner.
2. Place a wedge/air wedge on the top of the frame close to the corner in readiness for fixing the frame plumb and level.



4.

Pre-fixing Check Tilt Function

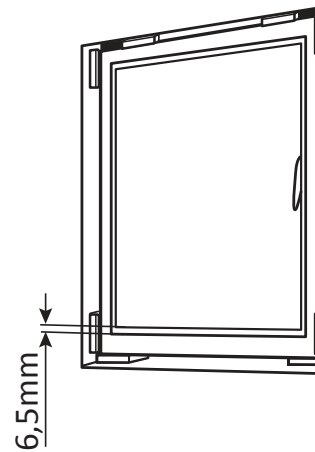
1. With the frame securely held in the opening, carefully test the tilt function by turning the handle to the horizontal position.
NOTE: The frame must be secure within the opening.
2. When closing the window ensure that the sash rebate initially closes against the frame at the top corner opposite the handle. This is important for optimal use.



5.

Pre-fixing Check Turn Function

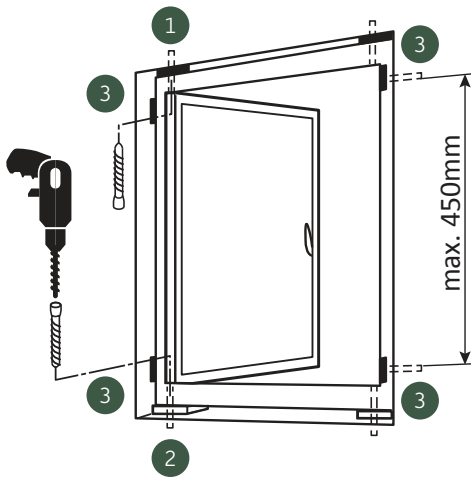
1. With the frame securely held in the opening, carefully test the turn function by turning the handle to the vertical position. When closing the window ensure that the sash rebate closes against the frame at the top and bottom corner at the same time.
NOTE: The frame must be secure within the opening.
2. At the top of the window/door the gap between the sash and the frame should be 1 mm less than the gap between the sash and the frame at the bottom. This is important for optimal use.



6.

Preparation of final fixing

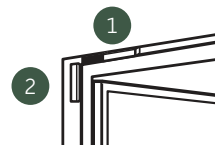
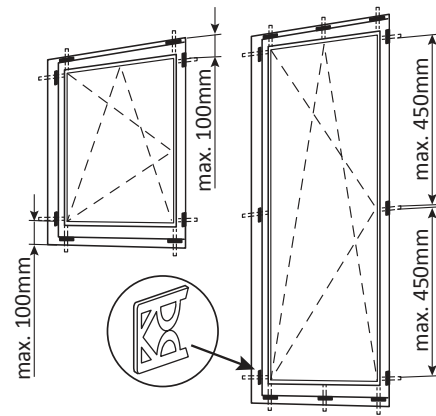
When the window is closed make sure there is a gap of at least 6.5 mm between the sash and the frame at the bottom. Make adjustments if necessary.



7.

Final fixing

1. Install the screw no. 1 in the top frame on the hinge side as close to the side frame as possible. If this is not possible because of the brickwork, the screw must be installed in the side frame as high to the top as possible
2. Screw no. 2 is installed in the bottom frame directly below screw no. 1.
3. Fix the unit according to the current provisions as described to the right. Make sure that there is equal space all around the unit.



8.

Support and final fixing

The hinge side should always be supported and fixed at maximum 100 mm from top and bottom of the element. The distance between fixing points may not exceed 450 mm.

All fixing points must be adequately supported using appropriate packers. Thresholds must be adequately supported in the entire width (per max. 200 mm).

To increase burglary resistance, place an adequate packer behind each striking plate.