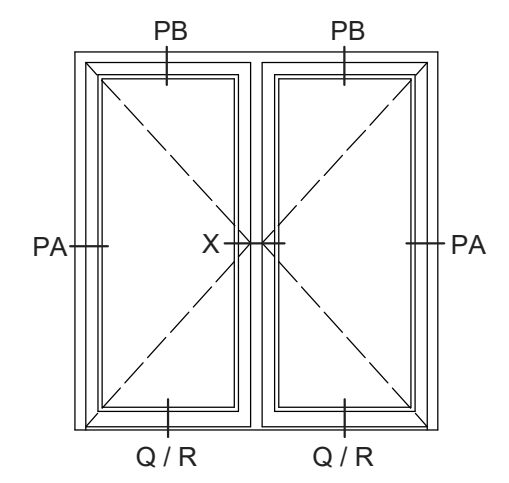
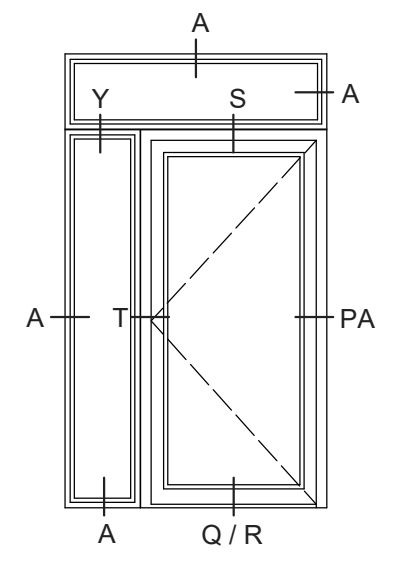
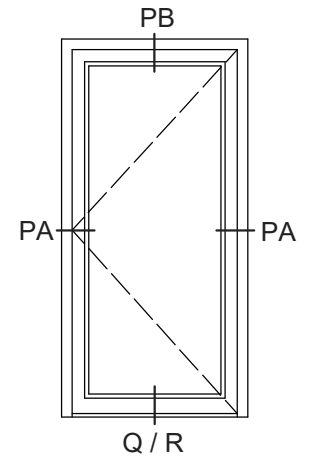
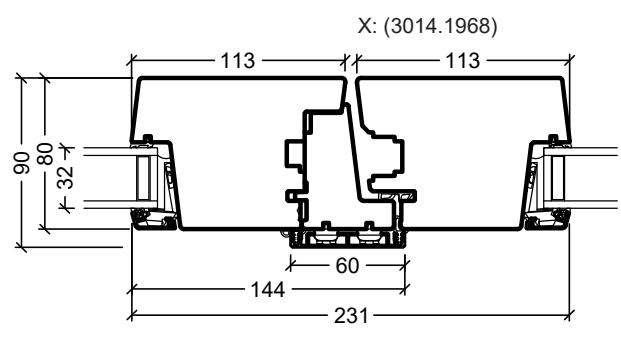
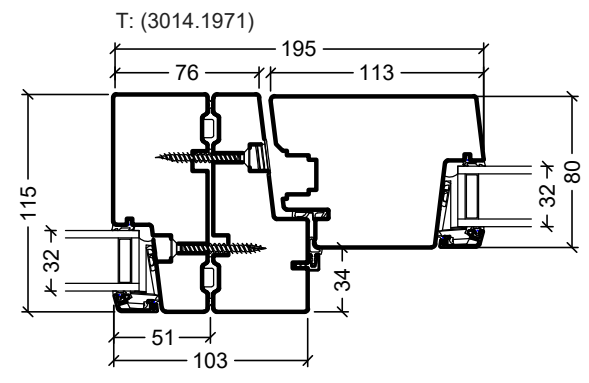
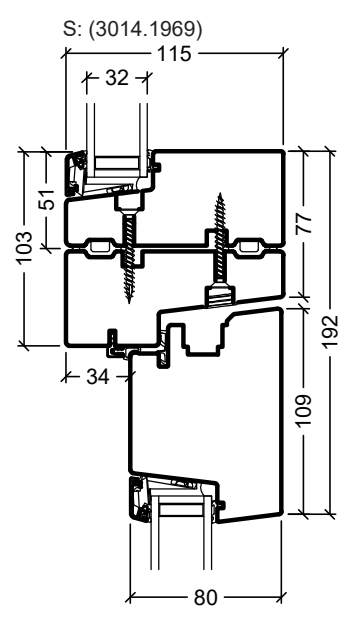
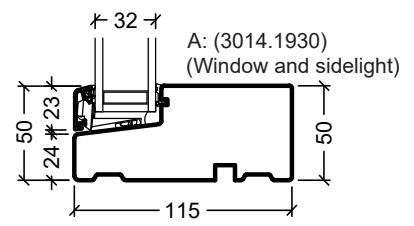
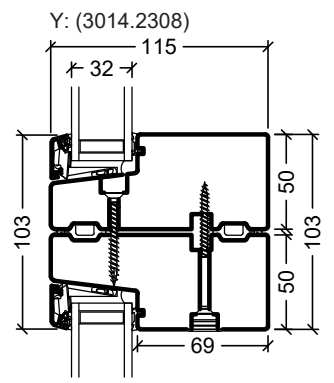
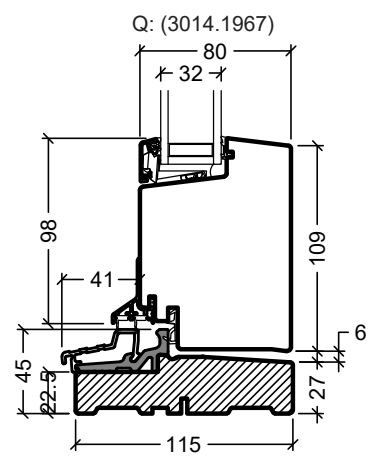
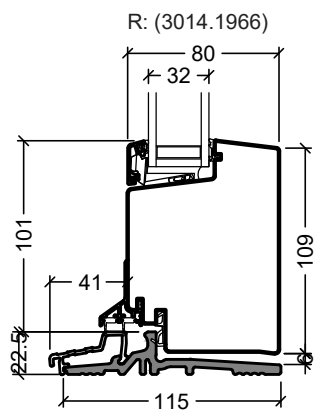
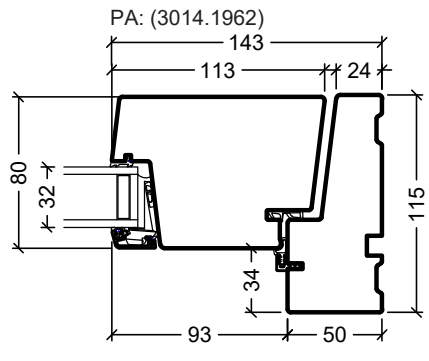
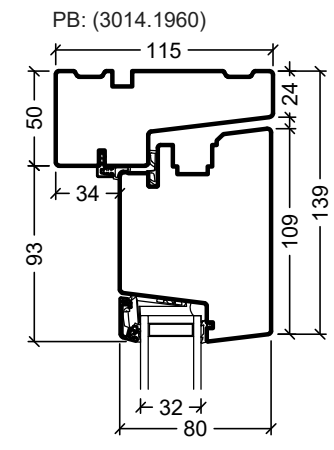
 Rationel is a trademark of DOVISTA A/S	System: Rationel Aura Entrance and Patio door	Scale: 1:4 / 1:40
	English: Inward opening, triple glazed	Edition No. 1
	Dansk: Indadgående, 3-lags	10.21 © 2021
<small>© DOVISTA A/S, CVR-no. 21147583. All intellectual property rights, copyright as well as all rights in know-how vest in DOVISTA A/S. This drawing may not be reproduced, stored, or transmitted in any form by any means (electronic, mechanical, photocopying, recording or otherwise) without the prior written consent of DOVISTA A/S. This drawing is to be used only for the purposes specified by DOVISTA A/S and for no other purpose. We reserve all rights to change the product and product range without notice.</small>		



**rational**  
Rational is a trademark of DOVISTA A/S

System: Rational Aura Entrance and Patio door  
English: Inward opening, double glazed  
Dansk: Indadgående, 2-lags

Scale: 1:4 / 1:40  
Edition No. 1  
10.21 © 2021

© DOVISTA A/S, CVR-no. 21147583. All intellectual property rights, copyright as well as all rights in know-how vest in DOVISTA A/S. This drawing may not be reproduced, stored, or transmitted in any form by any means (electronic, mechanical, photocopying, recording or otherwise) without the prior written consent of DOVISTA A/S. This drawing is to be used only for the purposes specified by DOVISTA A/S and for no other purpose. We reserve all rights to change the product and product range without notice.