
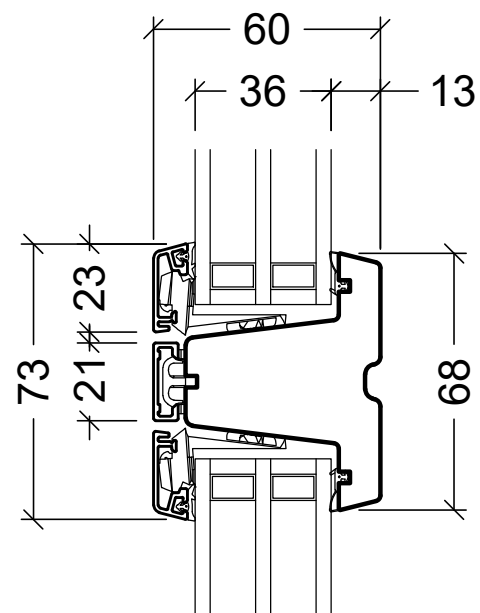
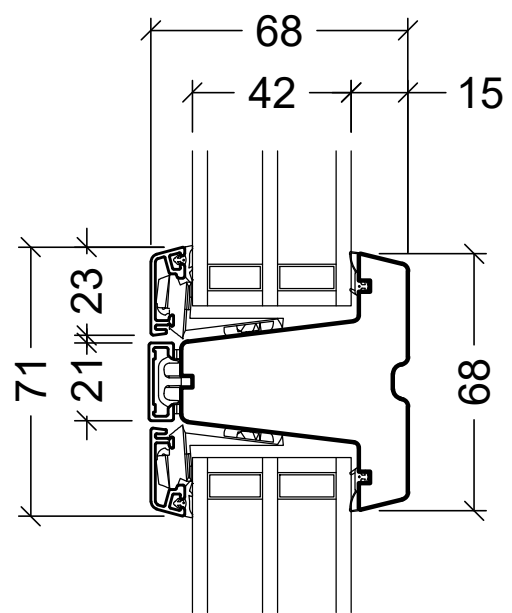


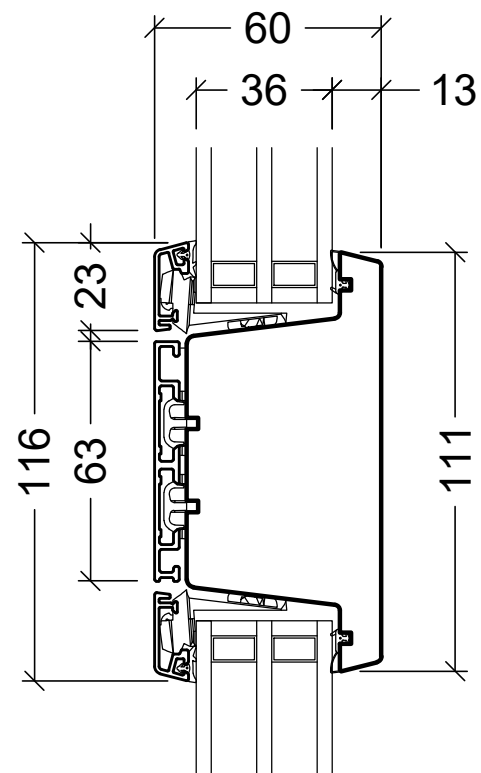
| | | |
|---|----------------------------------|-------------------|
|  Rationel is a trademark of DOVISTA A/S | System: Auraplust Triple glazing | Scale: 1:4 / 1:40 |
| | English: Sliding door | Edition No. 1 |
| | Dansk: Hæve - Skydedør | 10.21 © 2021 |
| <small>© DOVISTA A/S, CVR-no. 21147583. All intellectual property rights, copyright as well as all rights in know-how vest in DOVISTA A/S. This drawing may not be reproduced, stored, or transmitted in any form by any means (electronic, mechanical, photocopying, recording or otherwise) without the prior written consent of DOVISTA A/S. This drawing is to be used only for the purposes specified by DOVISTA A/S and for no other purpose. We reserve all rights to change the product and product range without notice.</small> | | |



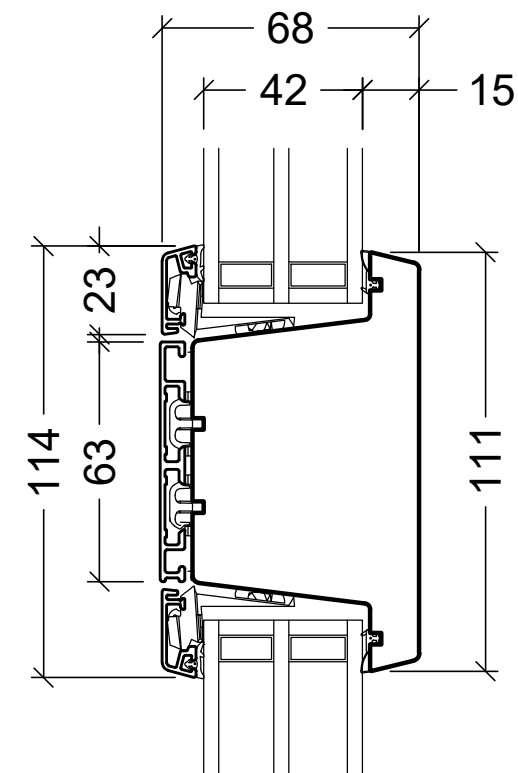
(3014.0B54)
Fixed sash



(3014.0B52)



(3014.1B51)
Fixed sash



(3014.1B50)

rational

Rational is a trademark of DOVISTA A/S

System: Auraplust Triple glazing

English: Horizontal glazing bars

Dansk: Vandret sprosse

Scale: 1:2

Edition No. 1

10.21 © 2021

© DOVISTA A/S, CVR-no. 21147583. All intellectual property rights, copyright as well as all rights in know-how vest in DOVISTA A/S. This drawing may not be reproduced, stored, or transmitted in any form by any means (electronic, mechanical, photocopying, recording or otherwise) without the prior written consent of DOVISTA A/S. This drawing is to be used only for the purposes specified by DOVISTA A/S and for no other purpose. We reserve all rights to change the product and product range without notice.