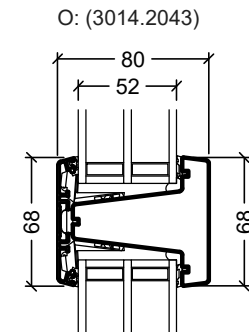
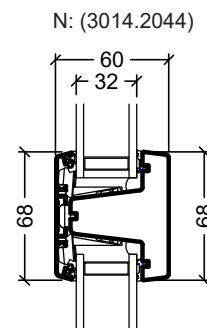
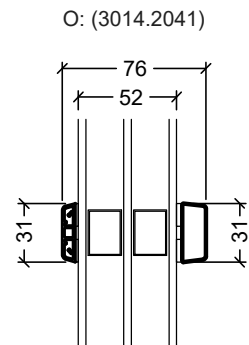
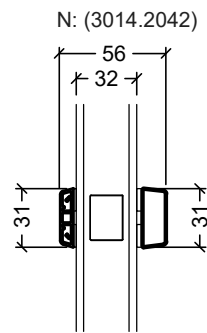
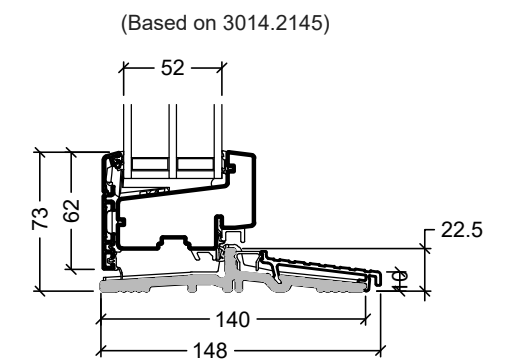
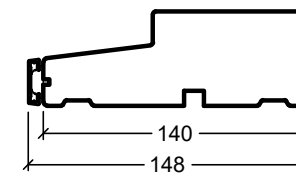
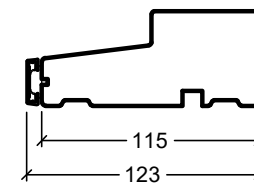


Glazing bars



Frame variants



rational

Rational is a trademark of DOVISTA A/S

System: Auraplus

English: Glazing and frame variations

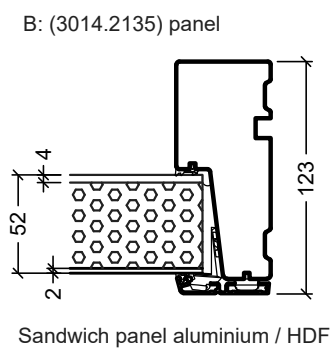
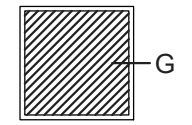
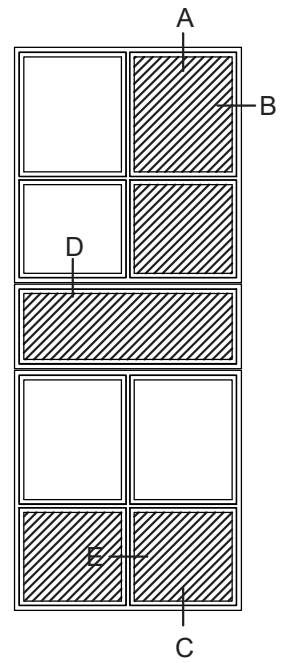
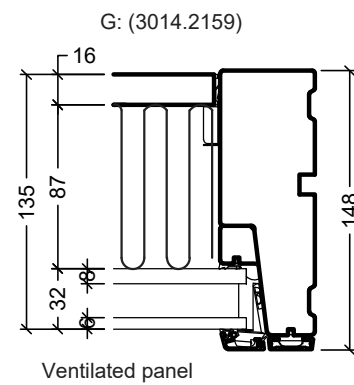
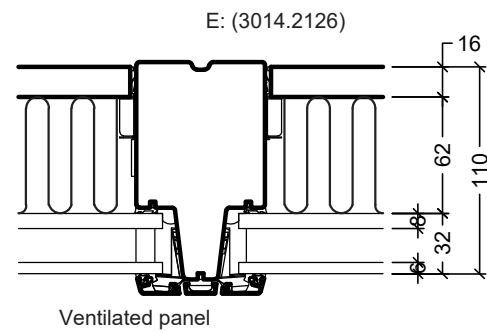
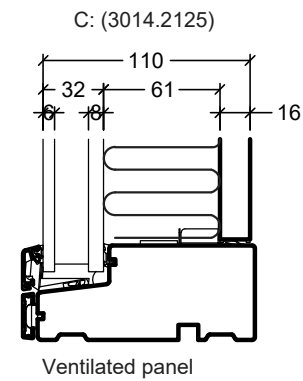
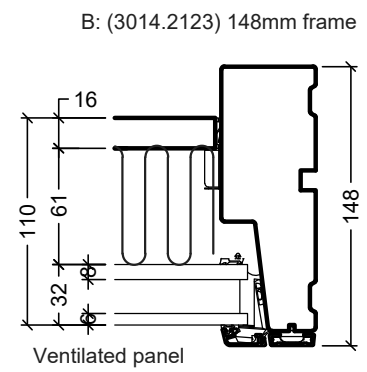
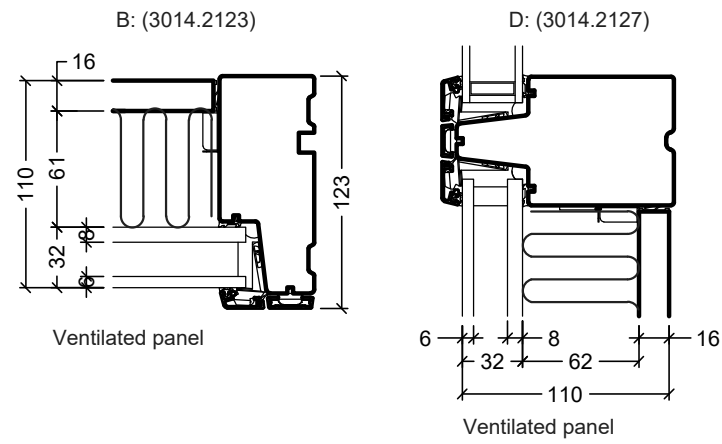
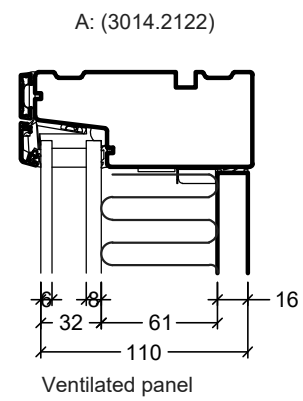
Dansk: Sprosse- og karmvarianter

Scale: 1:4

Edition No. 1

10.21 © 2021

© DOVISTA A/S, CVR-no. 21147583. All intellectual property rights, copyright as well as all rights in know-how vest in DOVISTA A/S. This drawing may not be reproduced, stored, or transmitted in any form by any means (electronic, mechanical, photocopying, recording or otherwise) without the prior written consent of DOVISTA A/S. This drawing is to be used only for the purposes specified by DOVISTA A/S and for no other purpose. We reserve all rights to change the product and product range without notice.



rational

Rational is a trademark of DOVISTA A/S

System: Auraplus window

English: Panels

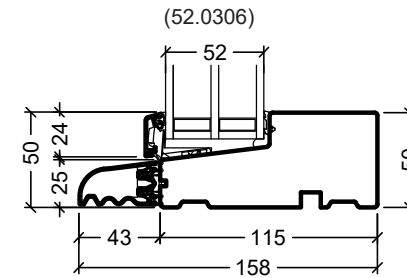
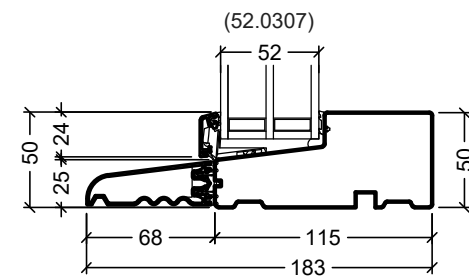
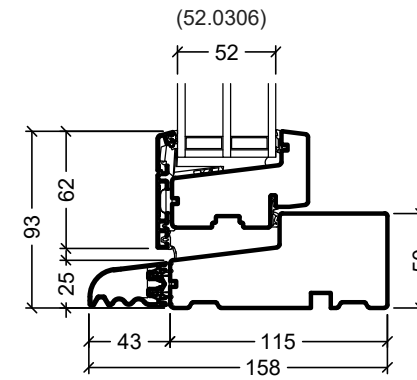
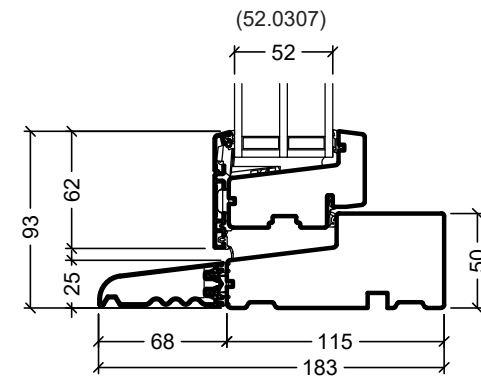
Dansk: Fyldinger

Scale: 1:4 / 1:40

Edition No. 1

10.21 © 2021

© DOVISTA A/S, CVR-no. 21147583. All intellectual property rights, copyright as well as all rights in know-how vest in DOVISTA A/S. This drawing may not be reproduced, stored, or transmitted in any form by any means (electronic, mechanical, photocopying, recording or otherwise) without the prior written consent of DOVISTA A/S. This drawing is to be used only for the purposes specified by DOVISTA A/S and for no other purpose. We reserve all rights to change the product and product range without notice.



rational

Rational is a trademark of DOVISTA A/S

System: Auraplus window

English: Drip cap

Dansk: Vandnæse

Scale: 1:4

Edition No. 1

10.21 © 2021

© DOVISTA A/S, CVR-no. 21147583. All intellectual property rights, copyright as well as all rights in know-how vest in DOVISTA A/S. This drawing may not be reproduced, stored, or transmitted in any form by any means (electronic, mechanical, photocopying, recording or otherwise) without the prior written consent of DOVISTA A/S. This drawing is to be used only for the purposes specified by DOVISTA A/S and for no other purpose. We reserve all rights to change the product and product range without notice.