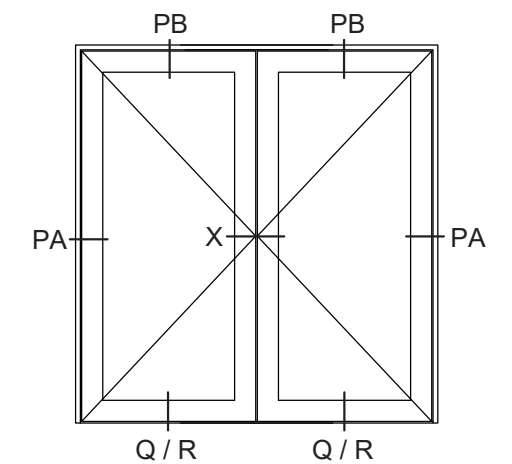
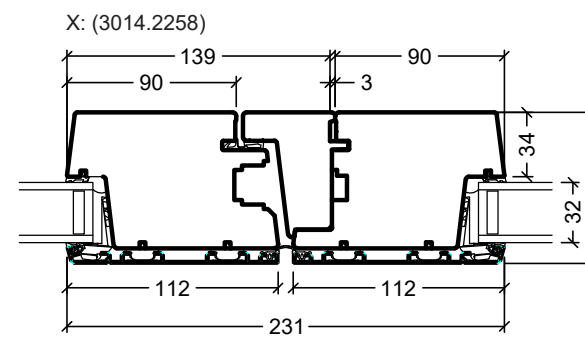
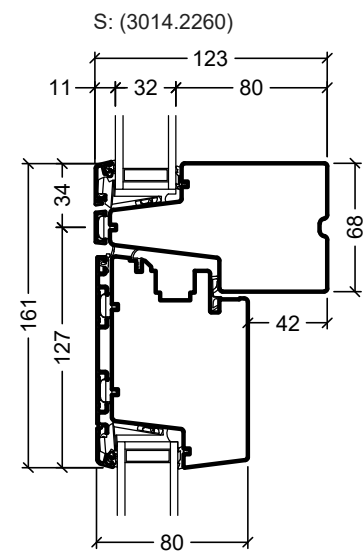
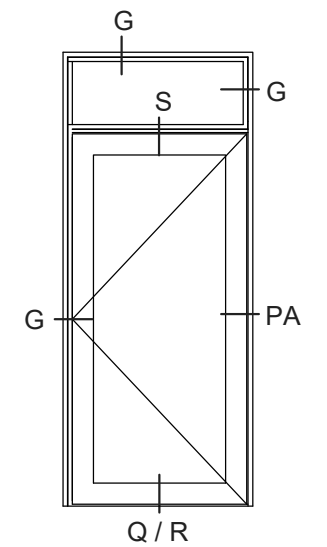
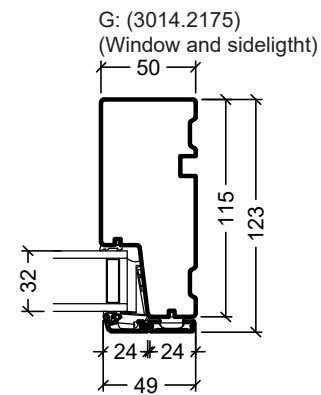
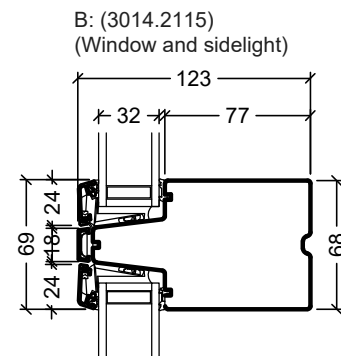
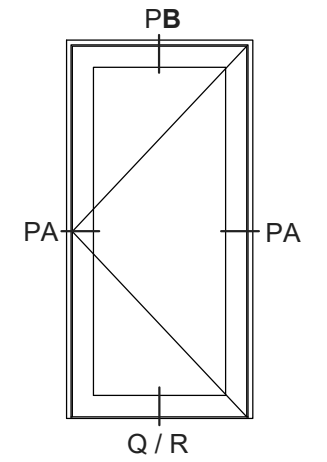
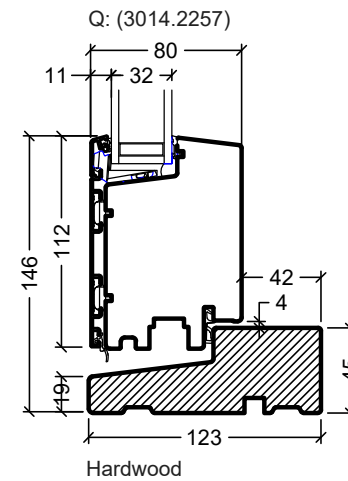
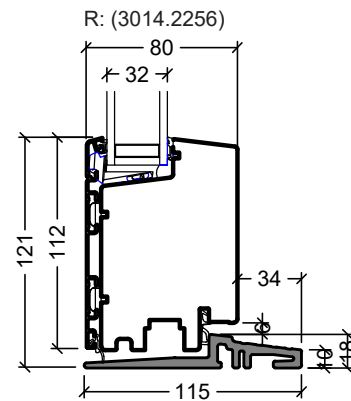
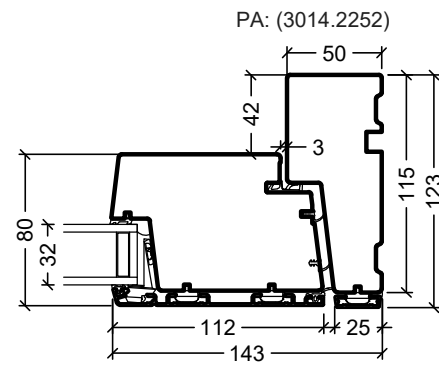
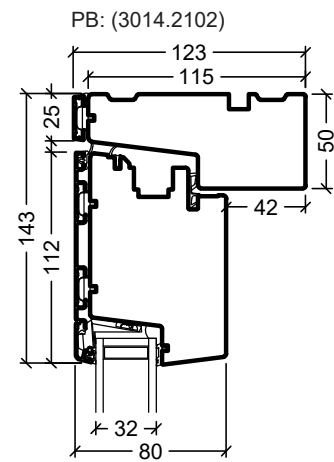


<p>Rationel is a trademark of DOVISTA A/S</p>	System: Rationel Auraplust Entrance and Patio door	Scale: 1:4 / 140
	English: Outward opening, Triple glazed	Edition No. 1
	Dansk: Udadgående, 3-lags	10.21 © 2021
<p>© DOVISTA A/S, CVR-no. 21147583. All intellectual property rights, copyright as well as all rights in know-how vest in DOVISTA A/S. This drawing may not be reproduced, stored, or transmitted in any form by any means (electronic, mechanical, photocopying, recording or otherwise) without the prior written consent of DOVISTA A/S. This drawing is to be used only for the purposes specified by DOVISTA A/S and for no other purpose. We reserve all rights to change the product and product range without notice.</p>		



rational

Rational is a trademark of DOVISTA A/S

System: Rational Auraplust Entrance and Patio door

English: Outward opening, Double glazed

Dansk: Udadgående, 2-lags

Scale: 1:4 / 1:40

Edition No. 1

10.21 © 2021

© DOVISTA A/S, CVR-no. 21147583. All intellectual property rights, copyright as well as all rights in know-how vest in DOVISTA A/S. This drawing may not be reproduced, stored, or transmitted in any form by any means (electronic, mechanical, photocopying, recording or otherwise) without the prior written consent of DOVISTA A/S. This drawing is to be used only for the purposes specified by DOVISTA A/S and for no other purpose. We reserve all rights to change the product and product range without notice.